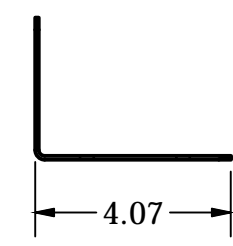
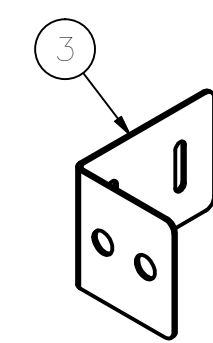
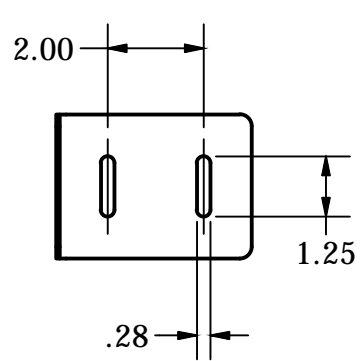
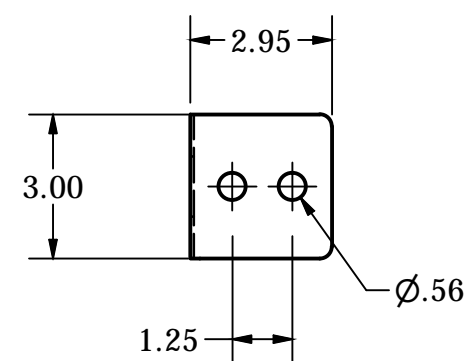
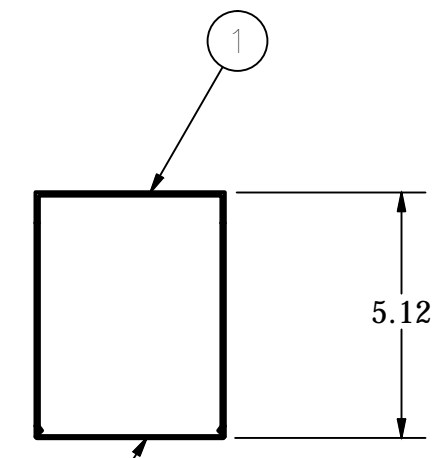
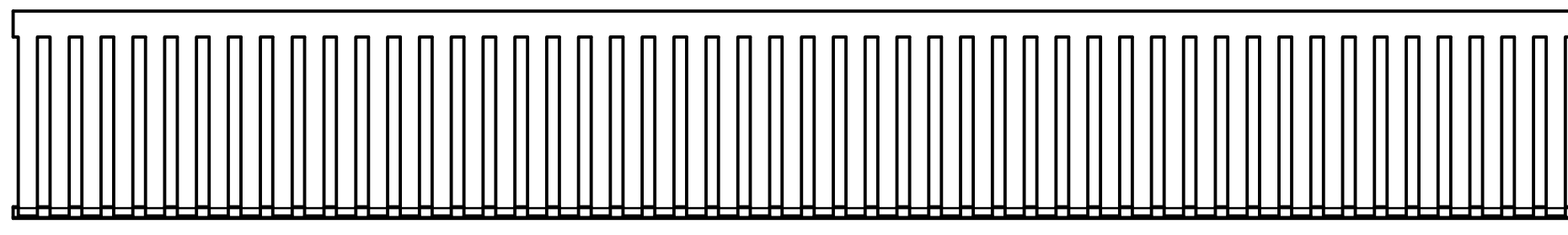
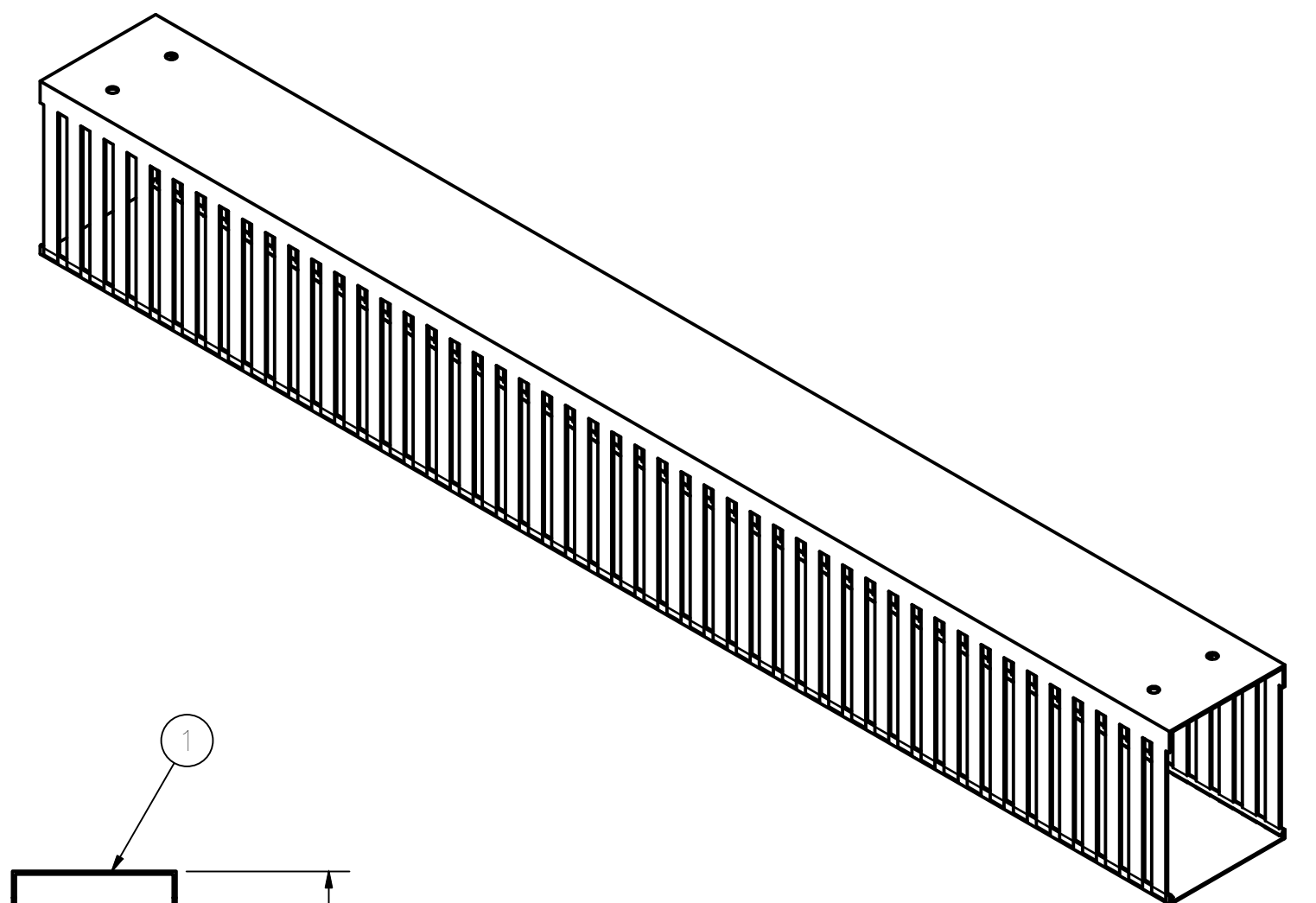
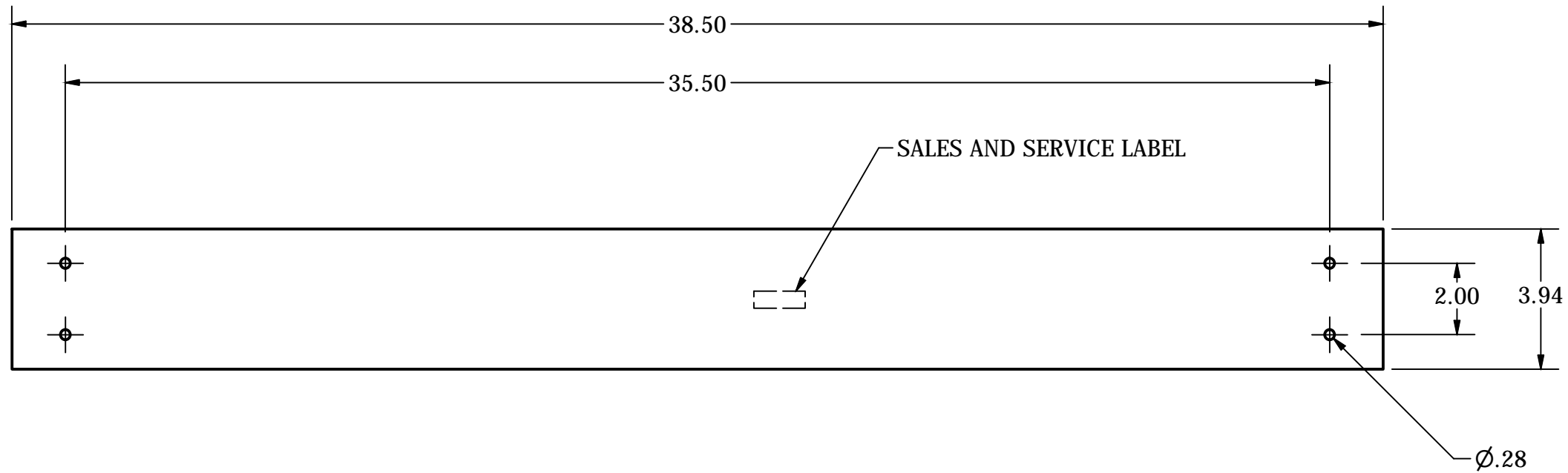


CATALOG	DESCRIPTION
VSD45	VRT DUCT CBL MGR,4"W,5"EXT,CVR



NOTES:
 1. MATERIAL:
 WIRE DUCT: RIGID PVC, BLACK
 MOUNTING BRACKETS: C.R.S., BLACK POWDER COAT FINISH
 2. SPECIFICATIONS SUBJECT TO CHANGE WITHOUT NOTICE.

5	INSTRUCTIONS	1
4	MOUNTING HARDWARE PACK	1
3	MOUNTING BRACKET	4
2	COVER	2
1	BASE	2
ITEM	DESCRIPTION	QTY.

Created on INVENTOR	DIMENSIONING AND TOLERANCE PER ANSI Y14.5M-1982 UNLESS OTHERWISE SPECIFIED, DIMENSIONS ARE IN INCHES (MM). TOLERANCES: XX = ±.01 (.25) .XXX = ±.005 (.127) .XXXX = ±.0025 (.0635) ANGLE TOL ±1°		PROJECT REFERENCE: 2012-014			Hubbell Premise Wiring HUBBELL INCORPORATED (Delaware) 23 CLARA DRIVE, SUITE 103 MYSTIC, CT 06355		
	IN ACCEPTING OUR DRAWINGS, BLUEPRINTS, OR SUPPORTING DOCUMENTATION FOR QUOTATION OR OTHER PURPOSES, YOU AGREE NOT TO DISCLOSE TO OTHERS THE IDEAS, INFORMATION, OR DESIGNS SHOWN HEREIN, AND THAT YOU WILL MAKE NO USE OF SAME WITHOUT PERMISSION		MATERIAL: PVC			TITLE: VERTICAL PLASTIC WIRE DUCT KIT		
			DRAWN BY: D.O'CONNOR 6/3/14		SIZE C	DRAWING NO. HWS14435C		REV. 2
			CHECKED BY:		SCALE: NTS		SHEET 1 OF 1	

2	19545	11/4/14	REVISED HOLE PATTERN	DPO	
1	19463	6/3/14	INITIAL RELEASE	DPO	MMA
REV.	ECN	DATE	DESCRIPTION	CHG BY	APPD BY